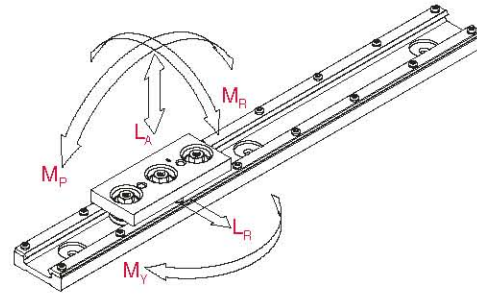
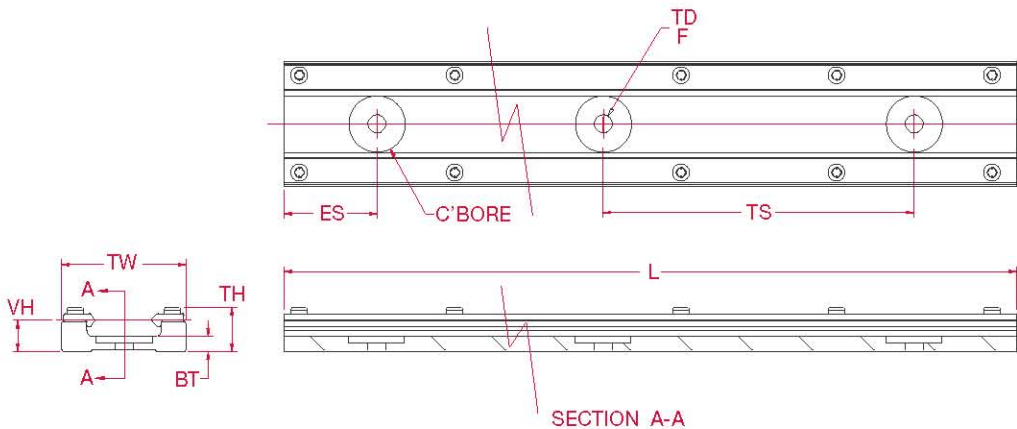


	WA	H	PH	WH	WW	HS	WF	MD	CD	CDE
KAT223201	100.0	19.5	9.0	15.2	28.0	40.0	M6 x 1.0	10.1	16.0	5.0
KAT223301	100.0	19.5	9.0	15.2	38.0	40.0	M6 x 1.0	10.1	16.0	5.0
KAT223302	125.0	26.5	13.0	20.8	55.0	45.0	M8 x 1.25	13.7	25.0	8.5
KAT223303	170.0	37.3	17.0	29.4	80.0	60.0	M10 x 1.5	19.6	38.0	8.1

L _A	L _R	M _P	M _V	M _R
705	89	10	3	2
705	1111	14	21	3
749	2671	40	61	9
763	5739	146	176	35



unités exprimés en: Newton.



	TW	TH	VH	ES	TS	TD	F	BT	C'BORE
KAT223202	30.0	18.0	12.8	30.0	60.0	5.5	PAN HEAD M5	6.0	Ø 12.0 x 2.0 DP
KAT223401	40.0	17.6	12.8	45.0	100.0	6.9	PAN HEAD M6	5.9	Ø 18.8 x 2.0 DP
KAT223402	60.0	21.5	15.2	45.0	150.0	8.8	PAN HEAD M8	7.3	Ø 25.4 x 3.0 DP
KAT223403	85.0	29.5	20.6	82.5	250.0	10.5	PAN HEAD M10	9.0	Ø 28.6 x 5.0 DP

L max = 3000 mm